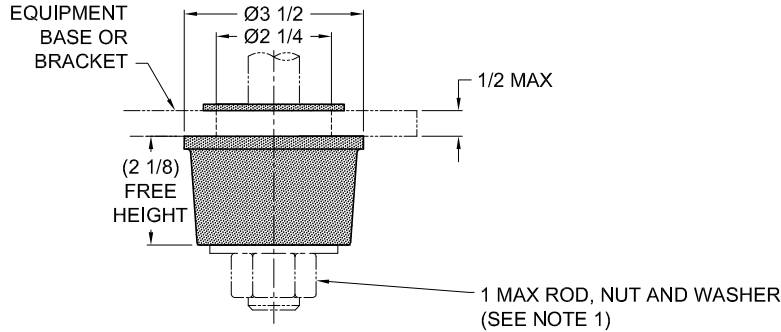
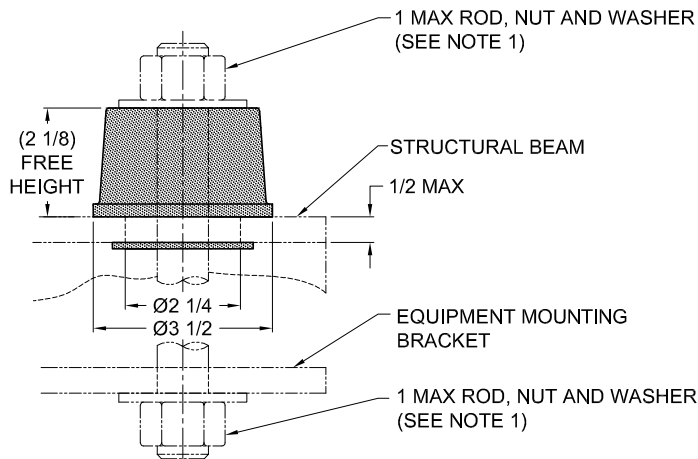


REV.	DESCRIPTION	DATE	BY

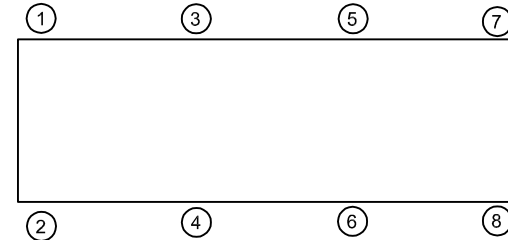
INSTALLATION OF ELEMENT BELOW STRUCTURE



INSTALLATION OF ELEMENT ABOVE STRUCTURE



TYPE HRO-D ELASTOMERIC HANGERS FOR 1/2" NOMINAL DEFLECTION			
HANGER	RATED LOAD (LBS)	DEFLECTION (IN)	ELEMENT LOAD & COLOR
HRO-D-750	750	0.50	RE-D-750 BLACK
HRO-D-1350	1350	0.50	RE-D-1350 RED
HRO-D-1900	1900	0.50	RE-D-1900 GREEN
HRO-D-3050	3050	0.50	RE-D-3050 GRAY
HRO-D-4200	4200	0.50	RE-D-4200 BLUE



NOTES:

- HANGER RODS, NUTS AND WASHERS, AS SHOWN, NOT BY THE VMC GROUP.
- ALL DIMENSIONS IN INCHES. INTERPRET PER ANSI Y14.
- ALL DIMENSIONS ARE FOR REFERENCE, DIMENSIONS SHOWN AS NOMINAL.
- RATED DEFLECTIONS ARE WITHIN 25% OF NOMINAL. HIGHER DEFLECTIONS ARE ALLOWED IF THEY MEET SPECIFICATIONS.

ISOLATOR SELECTIONS

LOC 1:	LOC 2:
LOC 3:	LOC 4:
LOC 5:	LOC 6:
LOC 7:	LOC 8:
CUSTOMER EQP'T. TAG:	

NOTE: MATERIAL SHOWN IS FOR (1) SET.

OTHER MATERIALS, COMPOUNDS, OR FINISHES WITH EQUAL OR SUPERIOR PROPERTIES MAY BE SUBSTITUTED AS THEY BECOME AVAILABLE.

CERTIFIED FOR:

JOB NAME: _____
 CUSTOMER: _____
 CUSTOMER P.O.: _____
 SALES ORDER: _____

**MODEL HRO-D 750-4200 LBS.
 ELASTOMERIC HANGERS 0.5 DEFLECTION**



THE VMC GROUP
The Power of Together
 Bloomingdale, NJ 07403
 Houston, TX 77041

SCALE: NONE

SHEET: _____



DRAWING NO.: _____

REVISION